



# INFINITI PRO

BY CONAIR™

2100 WATTS  
COMPACT HAIRDRYER



## Instruction & Styling Guide

For your safety and continued enjoyment of this product, always read the instruction book carefully before using.

Models D210AR/D210CL/D210PE

## READ THESE SAFETY PRECAUTIONS CAREFULLY BEFORE USING THE UNIT!

### SAFETY PRECAUTIONS

**WARNING:** the polyethylene bags over the product or its packaging may be dangerous. Keep these bags out of the reach of babies and children.

Never use them in cribs, children's beds, pushchairs or playpens. The thin film may cling to the nose and mouth and prevent breathing. A bag is not a toy.

**WARNING:** do not use over or near washbasins, bathtubs, showers or other containers with water. Store the unit in a dry place.

- If you are using the unit in a bathroom, unplug it after you have finished using it. Using the unit close to a source of water can, in fact, be dangerous, even if the unit is switched off. To ensure additional protection, have installed in your bathroom a residual current device (RCD) with a nominal trip current no higher than 30 mA. Ask your electrical fitter for advice.
- Never immerse the unit in water or any other liquid.
- If the power cord is damaged, it must be replaced by the manufacturer, its aftersales service or a similarly qualified person to avoid a hazard.



- Do not use the unit if it has fallen or if it appears to be damaged.
- Do not leave the unit unattended when it is plugged in or switched on.
- Unplug the unit immediately if you have problems when using it.
- Do not use any accessories other than those recommended by Conair.
- Unplug the unit after each use and before cleaning it.
- Avoid any contact between the unit's hot surfaces and your skin, in particular, your ears, eyes, face and neck.
- This appliance is not intended for use by persons (including children) with reduced physical, sensory or mental capabilities, or lack of experience and knowledge, unless they have been given supervision or instruction concerning use of the appliance by a person responsible for their safety.
- Allow the unit to cool before storing.
- To prevent damage to the cord, do not wrap it around the unit and ensure it is stored without twisting or folding it.
- To reduce hazards, damaged power cords must be replaced by the manufacturer or an authorized service center.
- This appliance is not a toy. Keep away from children.

## SAVE THESE INSTRUCTIONS

### PROFESSIONAL HAIRDRYER

The most recent addition to the InfinitiPRO by Conair™ expert range is a high-performance hairdryer that maximizes use of energy.

## INSTRUCTIONS FOR USE

The concentrator lets you direct the airflow precisely, it is especially recommended for straightening and shaping hair. Use a round styling brush to help with this. Begin with the hair underneath by clipping the rest of the hair to the top of the head. Hold the hairdryer with concentrator at right angles to the brush and unroll the hair from the roots to the tips.

This professional hairdryer has 3 speed/heat settings:

High (III)	Drying and styling wet hair, thick and curly
Medium (II)	Drying and styling wet hair, normal
Low (I)	Drying and styling damp hair, fine and damaged

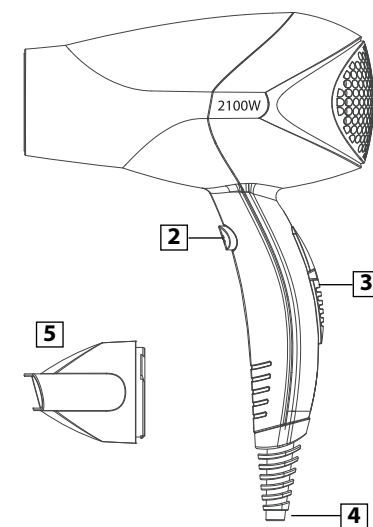
### PRODUCT FEATURES

1. 2100W drying performance
2. Cool shot
3. 3 speed/temperature settings
4. 1.5 m cord
5. Concentrator for precise drying and styling

### GETTING TO KNOW YOUR DRYER

1

2100W drying performance



## USER MAINTENANCE

Your dryer is virtually maintenance free. No lubrication is needed. For proper operating performance, the dryer must be kept clean. When cleaning is needed, unplug the cord, allow to cool and clean dust and lint from air intake openings with a small brush or the brush attachment of a vacuum cleaner. The outer surface of the dryer should be wiped clean with a cloth only.

**Blocked or clogged air intake vents will cause the dryer to overheat.** If overheating occurs, an automatic safety device will shut the dryer or the heat off to prevent damage or personal injury. If the unit or the heat turns off, unplug the cord and allow the dryer to cool for 10 to 15 minutes before restarting. Make sure the air vents are clean.

## CAUTION

NEVER allow the power supply cord to be pulled, twisted, or severely bent. Never wrap the cord tightly around the dryer. Damage will occur at the high flex point of entry into the dryer, causing it to rupture and short. Inspect the cord frequently for damage. **Stop use immediately if damage is visible or unit stops or operates intermittently.** If the cord or dryer is damaged or does not operate properly, return it for repair to an authorized Conair service representative only. No repairs should be attempted by the consumer.

### STORAGE – Important

When not in use, your dryer should be disconnected, allowed to cool and stored in a safe, dry location, out of reach of children. Do not wrap line cord around dryer. Allow the cord to hang or lie loose and straight at the point of entry into the dryer.

**WARNING:  
IF YOU THINK  
THE POWER IS OFF  
WHEN THE SWITCH  
IS OFF,  
YOU'RE WRONG.**

### ARGENTINA WARRANTY

Congratulations! You have purchased a guaranteed CONAIR product.

Warranty conditions:

1. The warranty is valid for 12 months from the date of purchase. To make it effective, you must submit the purchase invoice, which must be within the warranty period.
2. The warranty only applies to proven manufacturing defects. The product will be inspected and will be exchanged and/or repaired free of charge only if it presents an electrical or mechanical manufacturing defect within the warranty period.
3. The warranty does not apply:
  - 3.1. If the product has been opened, disassembled or repaired by unauthorized personnel. The product should only be opened, inspected and/or repaired by the network of Authorized Service Technicians.
  - 3.2. If the product has been used other than for domestic/household use, and/or for purposes for which it has not been designed.
  - 3.3. If the damages are not manufacturing defects but damages caused by: impact, spills or spill residues on parts, insects, or any other external

factors, as demonstrated during inspection; as well as damages caused by misuse, contrary to what is stated in the instruction manual.

3.4. If the damages or failures were caused by accidents, unforeseen or deliberate causes, electric shocks, voltage fluctuations and/or voltage 10% greater or lesser than the one indicated on the product's rating plate.

3.5. If the damages or failures were caused by accessories and parts broken or damaged during improper use of the product.

We recommend that you read the instruction manual.

**IMPORTANT: KEEP YOUR PURCHASE RECEIPT. ONLY ARTICLES ACCOMPANIED BY THE INVOICE/ RECEIPT FROM THE STORE WHERE THE ITEM WAS PURCHASED WILL BE ACCEPTED.**

Customer Service: Conair  
0810-888-2847 and 5300-5823  
Hours of operation: 8 am to 8 pm

### CHILE / PERÚ CERTIFICATE OF WARRANTY

Congratulations You have purchased a guaranteed CONAIR product. Conair and its brands: Cuisinart, Waring and CONAIR, extend the following service warranty, which entitles you to enjoy all the advantages that our network of Authorized Technical Services provides. Terms and Conditions of the Certificate of Warranty:

1. The warranty is valid from the date of purchase. To make it effective, the customer must present a proof of purchase and the Certificate of Warranty.
- 2-. The warranty only applies to proven manufacturing defects. The product will be inspected and will be exchanged and/or repaired only if it presents any electrical or mechanical manufacturing defect.

3.-. The warranty does not apply:

3.1.-. If the product has been opened, disassembled or repaired by unauthorized personnel. The product should only be repaired by the network of Authorized Service Technicians.

3.2.-. If the product has been used for purposes for which it has not been designed.

3.3.-. If the damages are not manufacturing defects, e.g. impact damage, spill damage, insect damage or any other damages found during inspection. If the product has been misused, i.e. contrary to what is indicated in the instruction manual.

3.4.-. If the damages were caused by accidents, accidental or deliberate acts, or voltage 10% greater or lesser than the one indicated on the product's rating plate.

3.5.-. If the damages are due to the normal wear of parts and/or accessories during normal use.

3.6.-. If the damages were caused to accessories and parts during improper use of the product.

\*\*We recommend that you read the instruction manual.

**IMPORTANT! PLEASE KEEP THIS CERTIFICATE OF WARRANTY, STAMPED BY THE ESTABLISHMENT WHERE THE PRODUCT WAS PURCHASED. YOU WILL BE REQUIRED TO PRESENT IT FOR ANY CLAIM UNDER THIS WARRANTY.**

MODELS #: D210AR/D210CL/D210PE

SERIAL #: \_\_\_\_\_

DATE OF PURCHASE: \_\_\_\_\_

INVOICE #: \_\_\_\_\_

**THE WARRANTY PERIOD IS INDICATED ON THE PRODUCT BOX**

**VENDOR'S NAME AND STAMP:**

**CLIENT'S SIGNATURE AND ID #**



siganos  
@conairlatinoamérica



siganos  
conairlatinoamérica



siganos  
@conairlatam

SECADOR DE CABELLO  
MARCA: INFINITI PRO BY CONAIR  
MODELO: D210AR  
220 – 240V~ 50 – 60Hz  
1800-2100W  
HECHO EN CHINA



ADVERTENCIAS DE SEGURIDAD MANUAL  
LEER MANUAL ANTES DE USAR  
Marca TUV válida solo para D210AR

©2018 Conair Corporation  
Origen: China  
Denominación: Secador de Cabello  
Marca: InfinitiPRO by Conair  
Datos técnicos  
Tensión: 220–240 V~  
Frecuencia: 50–60 Hz  
Potencia: 1800-2100 W

**Argentina**  
Importa Distribuye y Garantiza Newsan S.A.  
Roque Pérez 3650-C1430FBX  
C.A.B.A. República Argentina

**Chile**  
Importado por Conair  
Comercializadora Chile LTDA  
Vitacura 2670, Piso 15,  
Las Condes, Santiago, Chile

**Perú**  
Importado por Conair Perú S.R.L.  
Av. 2 de Mayo NRO. 1321 URB.  
Orrantía-San Isidro  
Lima, Perú

18IP056756

IB-14819A